

FC-DRY™ & FC-DRY HP Series Adapters

ADAPTERS

The FC Series adapters provide a threaded coupling that is durable, watertight and environmentally sealed. The keyed index connection incorporated in the FC Series provides perfect reproducible termini alignment every time. The fiber optic termination is completely protected from wet environments and particulate that can irreversibly degrade optical fiber. The FC-DRY™ is fabricated from nickel-plated brass, and the FC-DRY™ HP is fabricated from 316 series stainless steel. The ferrules and alignment sleeves are made of precision-machined zirconia. FC Series adapters are available with or without bulkhead seals. Adapters with a bulkhead seal can be utilized as feedthroughs for bulkheads from .100 in. to .125 in. (2.54 mm to 3.17 mm) thick. When used as a feedthrough one side must remain connected to maintain seal integrity.

FEATURES & BENEFITS

Compatibility—Universal threaded coupling. Available with or without a bulkhead seal. Works with both single and multi-mode fiber.

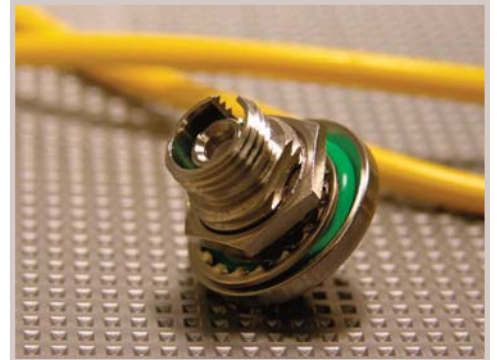
Environmentally Sealed—No signal degradation. Effective sealing action eliminates damage from moisture or particulate. Tested up to 500 mate/demate cycles.

Temperature and Humidity Resistant—Clarity of signal. Tested from -67°F to 185°F (-55°C to 85°C) and subjected to stringent heat/humidity with 0.5dB maximum insertion loss.

Waterproof—No water penetration to affect signal

SPECIFICATIONS

- Ferrules and alignment sleeves are precision-machined zirconia
- Made from high quality corrosion resistant materials; ST-DRY is nickel plated brass; ST-DRY HP is 316 series stainless steel
- Typical light loss is less than 0.5dB

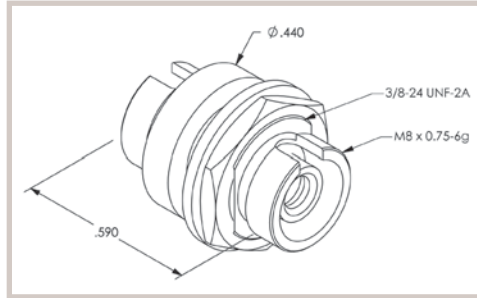


APPLICATIONS

- Aerospace
- Chemical processing
- Defense
- Industrial
- Oil and gas
- Pharmaceutical production
- Security
- Telecommunication

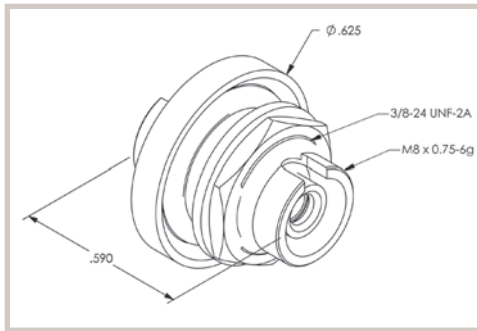
FC-DRY™ Series Adapter

- Minimum bulkhead thickness – .100 in. (2.54 mm)
- Maximum bulkhead thickness – .125 in. (3.17 mm)

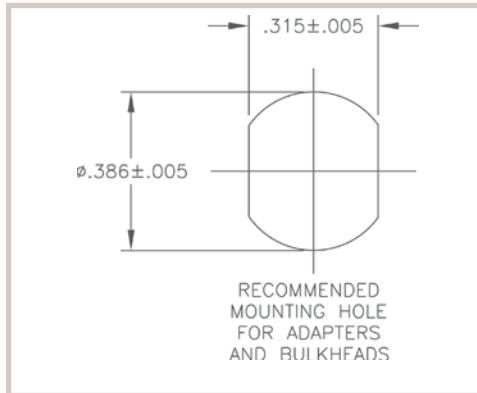


FC-DRY® HP Adapter with Bulkhead Seal

- Minimum bulkhead thickness – .100 in. (2.54 mm)
- Maximum bulkhead thickness – .125 in. (3.17 mm)



Mounting Diagram



ORDERING INFORMATION

500-AFC-__ S-__ 01-000

- B** Bulkhead Seal
- N** No Bulkhead

Material Type

- B** Brass Nickel Plate
- S** Stainless Steel

Statements and recommendations in this publication are based on our experience and knowledge of typical applications for this product and shall not constitute a guarantee or warranty of performance nor a modification or alteration of our standard product warranty which shall be applicable to such products. To ensure hermeticity and environmentally sealed connections that utilize a Lancer Systems adapter and/or feedthrough it is IMPORTANT that you use only connectivity products from Lancer Systems. The performance of the connector within a given assembly can produce varying results.

