

FC-DRY™ HP Feedthrough Series (PBF)

Standard, Short and Right Angle

PERMANENT BULKHEAD FEEDTHROUGHS

Lancer Systems offers a series of FC-DRY™ HP PBFs (Permanent Bulkhead Feedthroughs) - standard, short and right angle - giving the user the choice of the optimum feedthrough for each application. The FC-DRY HP hermetic self-sealed PBF utilizes a threaded coupling for durable connections and exceptional performance. The FC-DRY HP PBF design is based on the hermetic joining of an internal light conduit to zirconia ferrules, ensuring precision alignment to cable connectors. Light loss and back reflection are low. All FC-DRY HP PBFs are made from 316 series stainless steel with precision-machined zirconia ferrules. Once installed the PBFs are hermetically sealed with or without connections. Connection and disconnection can be made without impairment to seal integrity.

FEATURES & BENEFITS

Compatibility - Universal threaded coupling

- Works with single and multi-mode fibers

Environmentally Sealed - No signal degradation

- 100 percent leak tested
- Hermetic Seal; exhibits no detectable leaks at 1×10^{-9} cc of helium /sec with a permeability rate of 1×10^{-7} cc of helium / sec.
- Permanent feedthrough is hermetically sealed with or without connections

Waterproof - No water penetration to affect signal

SPECIFICATIONS

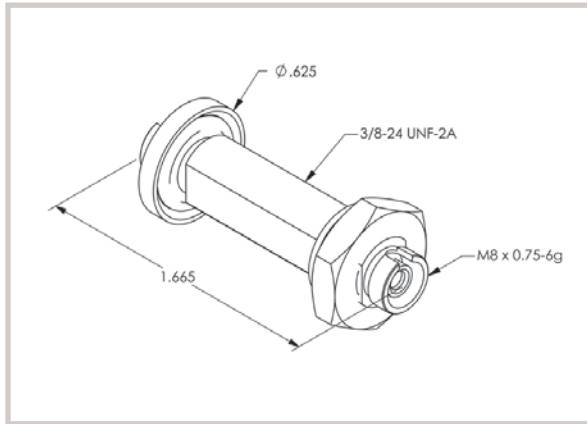
- 316 series stainless steel construction
- Typical light loss is less than 1.0dB
- Zirconia ferrules



APPLICATIONS

- Aerospace
- Chemical processing
- Sensors
- Military
- Industrial
- Oil and gas
- Harsh Environments

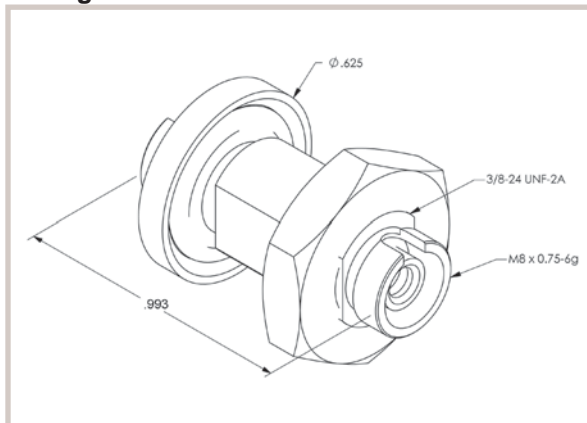
FC-DRY HP Feedthrough



Notes:

- Minimum bulkhead thickness - .125 in. (3.17 mm)
- Maximum bulkhead thickness - 1.00 in. (25.4 mm)

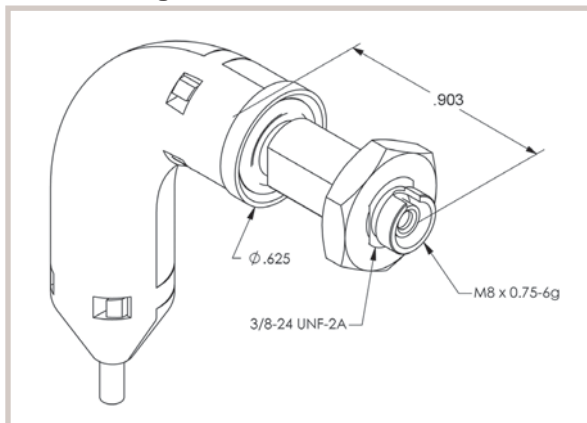
FC-DRY HP Short Feedthrough



Notes:

- Minimum bulkhead thickness - .125 in. (3.17 mm)
- Maximum bulkhead thickness - .395 in. (10.03 mm)

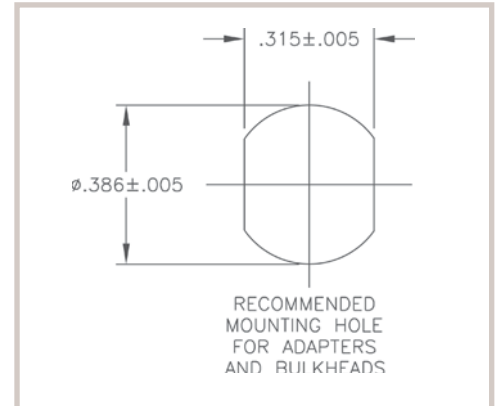
FC-DRY HP Right Angle Feedthrough



Notes:

- Minimum bulkhead thickness - .125 in. (3.17 mm)
- Maximum bulkhead thickness - .550 in. (13.97 mm)

Mounting Diagram



ORDERING INFORMATION

500- FC-S -B -000

Pressure Rating

- 01 up to 1K psi
- 02 up to 10K psi

Fiber Type

- 1 9/125 μm
- 2 50/125 μm
- 3 62.5/125 μm
- 4 50/170 μm
- 5 400/430 μm
- 6 400/440 μm
- 7 910/1000 μm
- 8 300/330 μm
- 9 9/80 μm
- C Custom

PBF Type

- B Standard
- R Right Angled
- S Short

Statements and recommendations in this publication are based on our experience and knowledge of typical applications for this product and shall not constitute a guarantee or warranty of performance nor a modification or alteration of our standard product warranty which shall be applicable to such products. To ensure hermeticity and environmentally sealed connections that utilize a Lancer Systems adapter and/or feedthrough it is IMPORTANT that you use only connectivity products from Lancer Systems. The performance of the connector within a given assembly can produce varying results.

