

## MPX Cinch Installation Instructions

The MPX Cinch is a convenient, molded cinch that enables you to double your on-weapon capacity, and speed reload time. Made from durable reinforced nylon, and engineered to engage with locking ribs, this X-Cinch reflects the quality you've come to expect from a Lancer product. The full list of features is as follows:

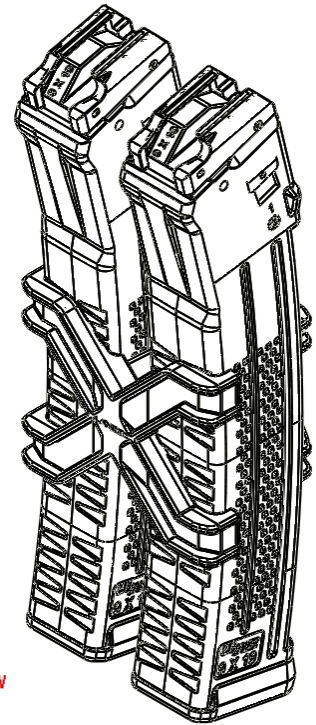
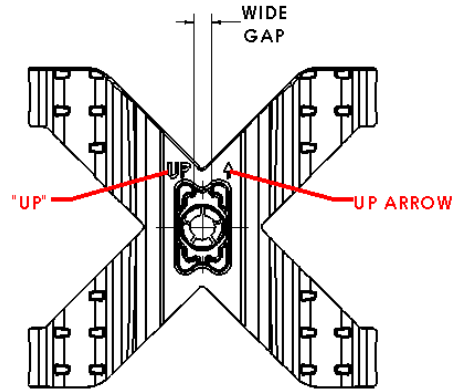
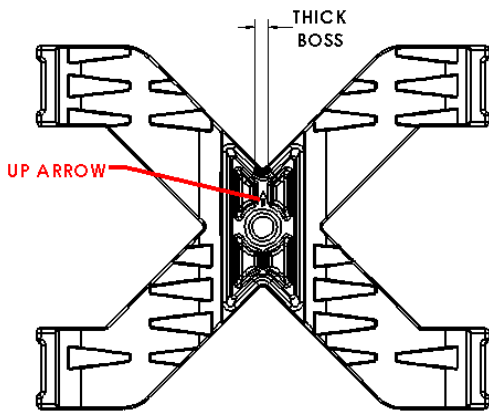
- For use with 10/20-round and 30-round magazines
- Tool-less, thumb screw assembly
- Locking ribs designed to mate with magazine texture to provide a secure fit

Package contents:

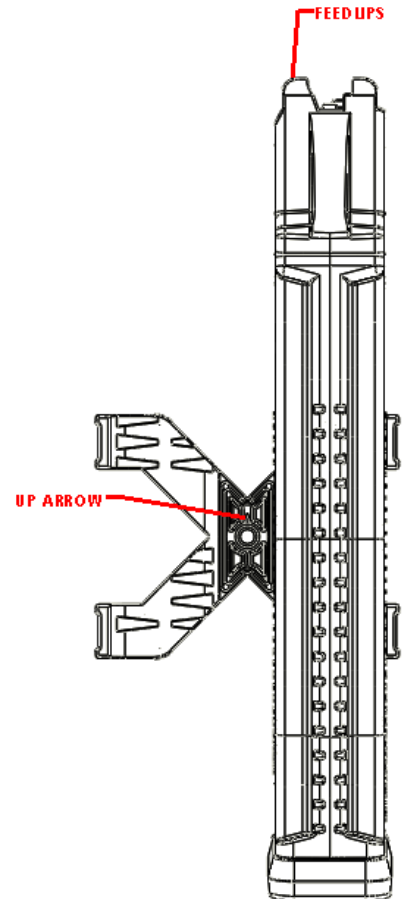
- Front Clamp - Large X
- Rear Clamp - Small X
- Thumb Screw

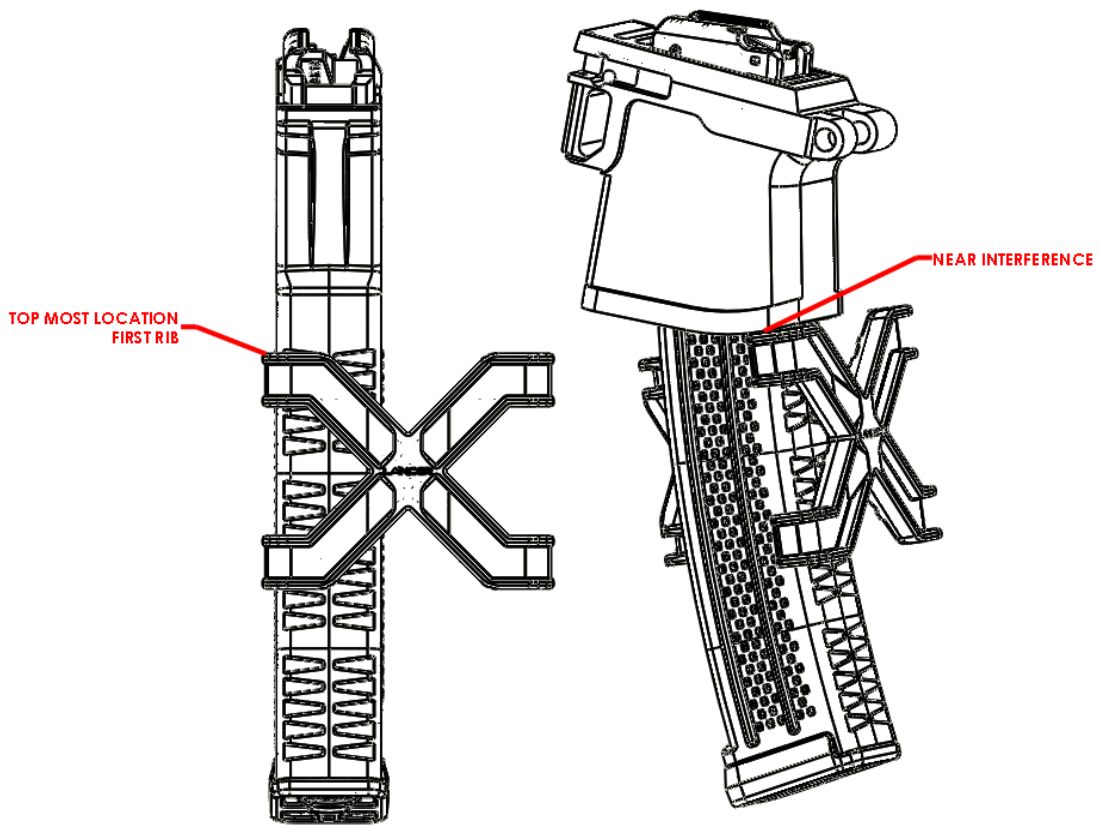
Installation:

1. Unscrew the thumb screw and separate the Front and Rear clamp. The screw will remain in the Rear Clamp. This feature was intended so the thumb screw does not get lost.
2. Look at each piece and notice the direction arrows molded into the parts to aid in assembly. Both arrows must face the same direction for the cinch to properly assemble.

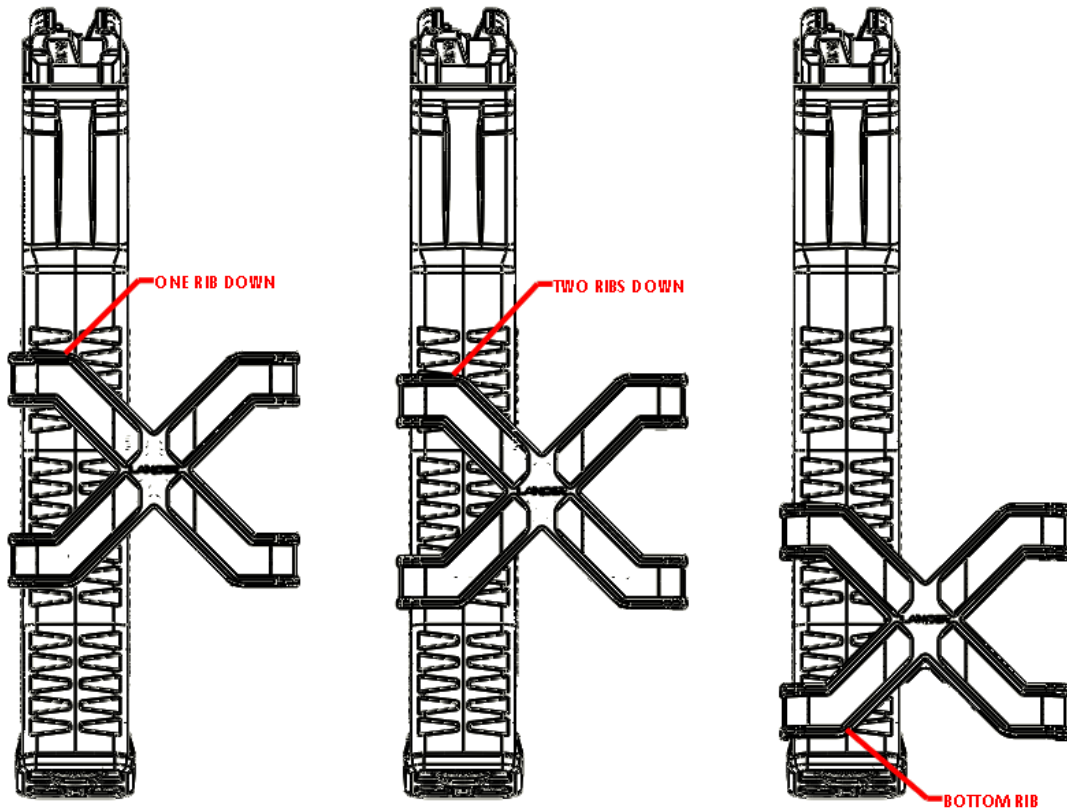


3. To install the magazines, place the Front Clamp flat side down in your palm.
4. Lay a magazine into each side of the clamp, aligning the grooves of the magazine with the ribs on the clamp. The "UP" arrow must point towards the feedlips on the magazines. MPX magazines do not need to be staggered and can be installed at the same height. Refer to the guide on the next sheet for acceptable installation locations. Any location other than those specified will result in decreased performance.
5. Remove the screw from the Rear Clamp.
6. Install the Rear Clamp so it mates properly with the Front Clamp. Remember the arrow should point towards the feedlips of the magazines.
7. Insert the screw into the hole of the Rear Clamp and thread the thumb screw into the Front Clamp.
8. Tighten the screw by hand. For most cases, this will be sufficient to clamp the magazines together. If you feel it is necessary, use a tool to tighten the clamp. **DO NOT EXCEED 15 in-lbs of torque!**





This is the only allowable location for a 10rd/20rd magazine. This is also an acceptable location for the 30rd magazine.



These are additional acceptable locations for the 30rd magazine. The rightmost location will incur small aesthetic damage to the magazines' floor plates.